

Item type

Chandelier

Item name

Domani

Attention!

Turn off the electricity supply at the main circuit panel before installing. Do not connect the electricity supply until your luminaire is fully assembled and installed.

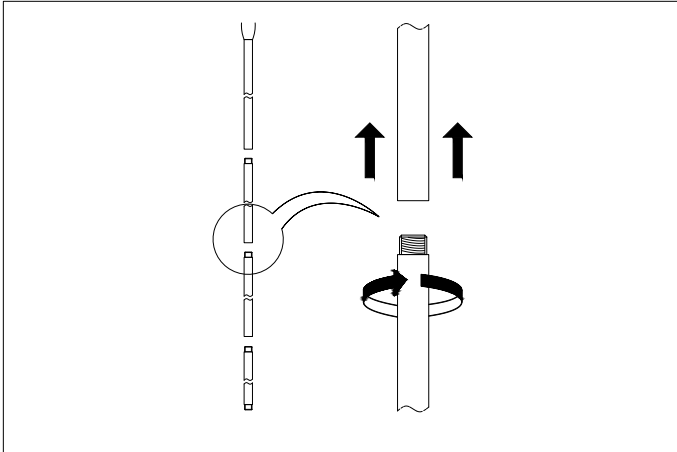
Care instructions:

Wipe with a soft cloth, do not use chemicals or abrasive cleaning materials.

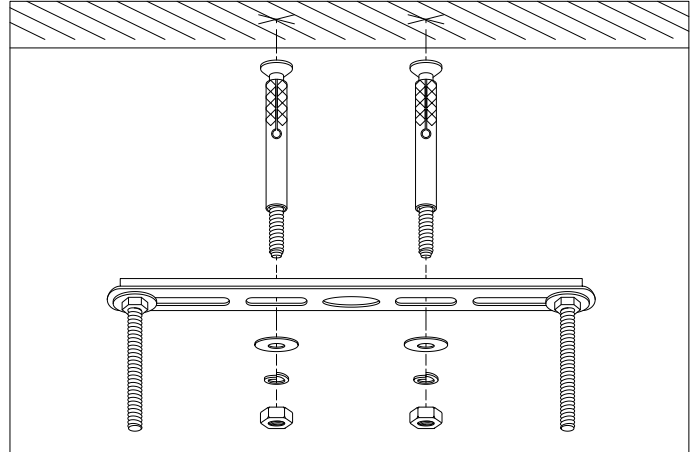
Eichholtz B.V.

Delfweg 52
2211 VN Noordwijkerhout
The Netherlands

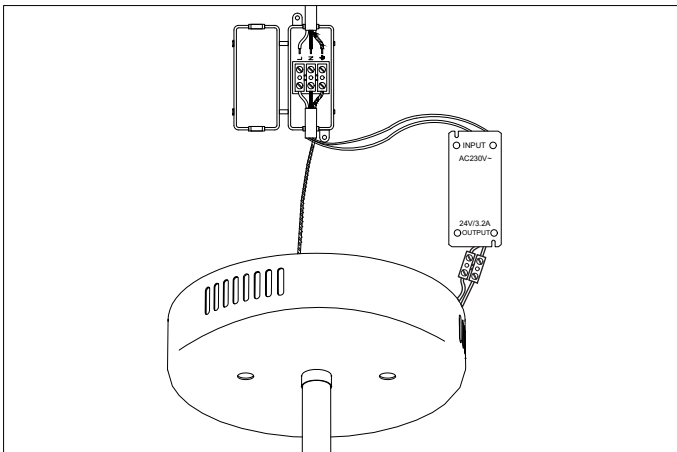
🏠 www.eichholtz.com
✉ service@eichholtz.com
☎ +31 (0)252 515 850



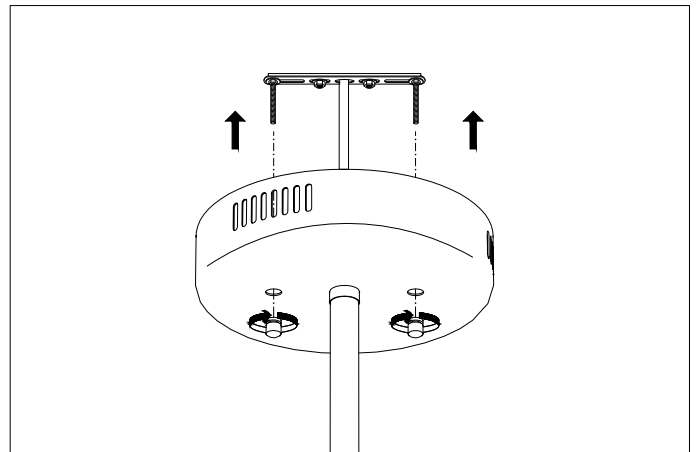
1. Determine the desired height of your chandelier and connect the extension pipes. Thread the wires through the pipes.



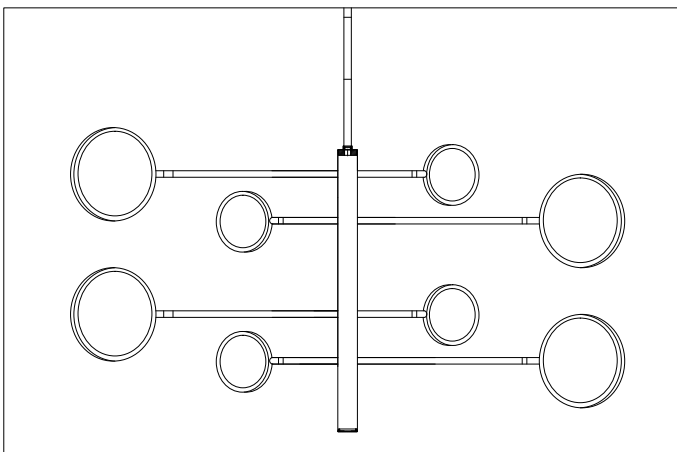
2. Fix the ceiling bracket to the ceiling by using mounting plugs and screws suitable for your ceiling type.



3. Connect the LED driver to the lamp according to the + and - marks. Hold the lamp in an elevated position, so the wires can reach the junction box in your ceiling. Connect the three power wires. Brown is the live wire, blue is the neutral, green/yellow is the earth wire.



4. Slide the canopy over the ceiling bracket and fix it with the two nuts.



5. Adjust the arms until your luminaire is balanced.