

Item type

Trolley

Item name

Townhouse

Item no

113192

Attention! Place the item on a soft material on the floor before starting with the assembly, to prevent the item from being damaged.

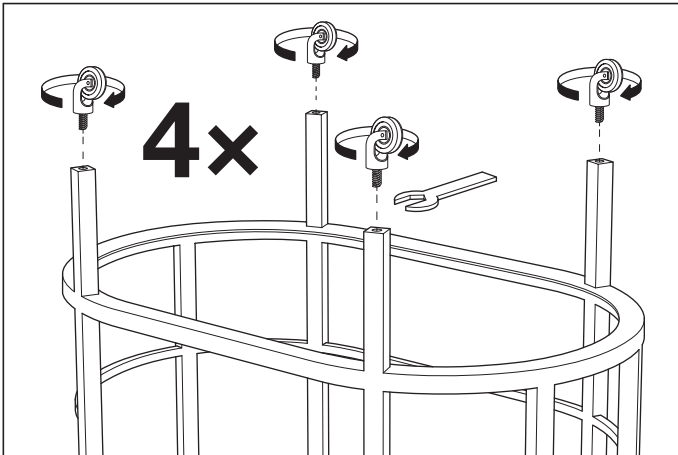
Care instructions:

Wipe with a soft dry cloth, do not use chemicals or abrasive cleaning materials.

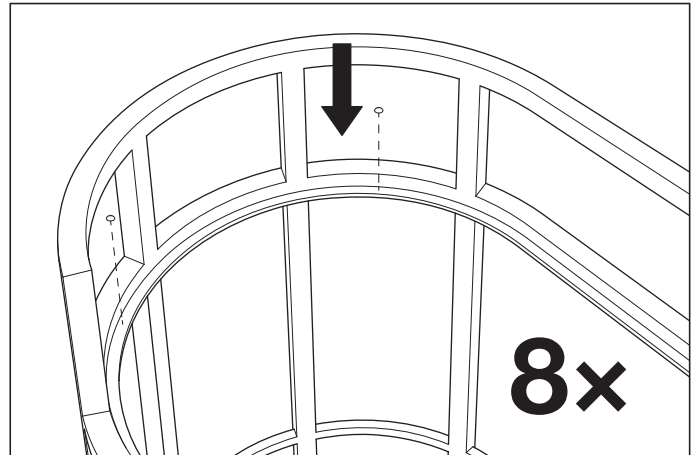
Eichholtz B.V.

Delfweg 52
2211 VN Noordwijkerhout
The Netherlands

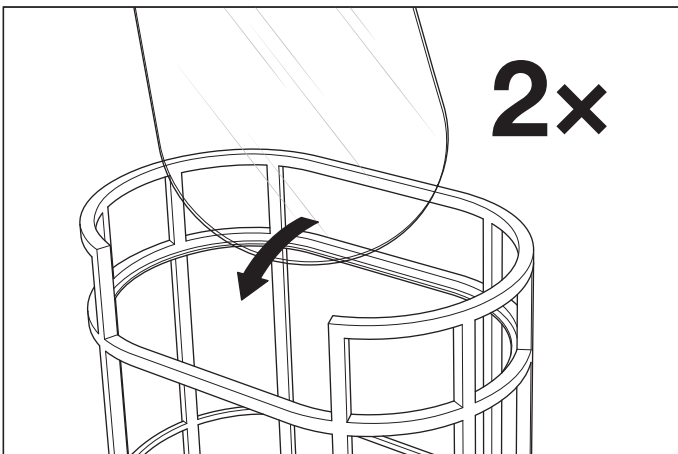
🏠 www.eichholtz.com
✉ service@eichholtz.com
☎ +31 (0)252 515 850



1. Carefully place the frame of the trolley upside down and fix the wheels to the frame using the spanner (included).



2. Divide the rubber place holders evenly over the edges of the trolley. These will hold the glass in place.



3. Lower the glass into the trolley in an angle. Gently place the glass on the bottom edge first, followed by the glass on the top edge.