



*“It combines the high quality and practicality of a tripod with Hockney’s trademark colors.”*

**MARC NEWSON ON THE STAND**

**ASSEMBLY**

Please consult the assembly instructions pictured below. According to the artist’s instructions, the legs should be inserted into the base in the following order: the blue leg front left, the red leg front right, and the yellow leg at the back.

**CARE AND CLEANING**

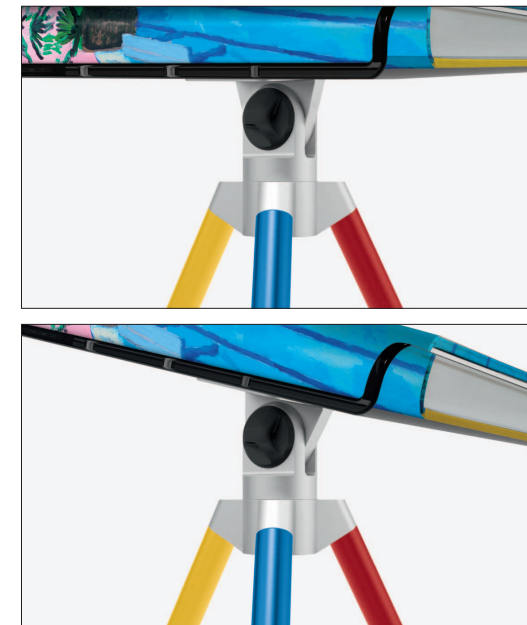
The book contains 13 fold-out pages. To avoid damaging these pages, always fold each one back in carefully before turning to the next page. Please keep in mind also that the paper of this book is UV-sensitive. If you consistently leave the book open to the same pages, they may eventually yellow.

Fabric elements and the dust jacket of the book are more vulnerable to damage and stains, so please treat them with caution.

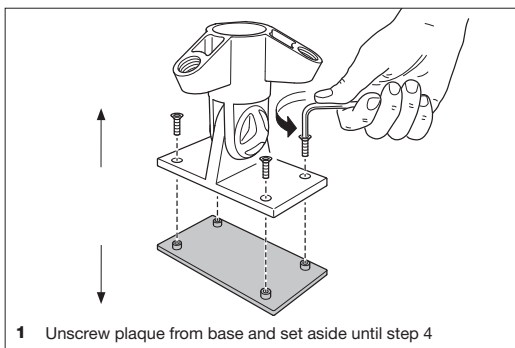
The elements of the table, including acrylic glass, aluminum, and steel, are very delicate and should be cleaned with a simple dry rag only. It is advisable to wear the gloves supplied when handling the table.

**STORAGE**

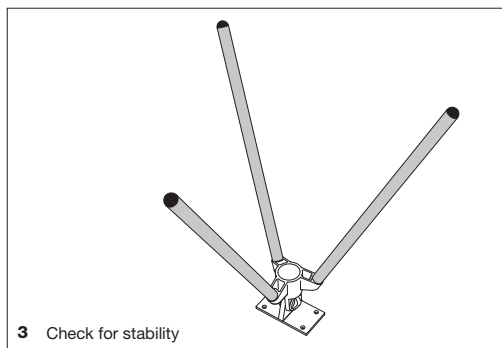
We do not recommend storing the book on the stand for extended periods. The best way to preserve the book’s original quality is to store it in a flat and closed position. We recommend keeping the original packaging for shipping or storage purposes.



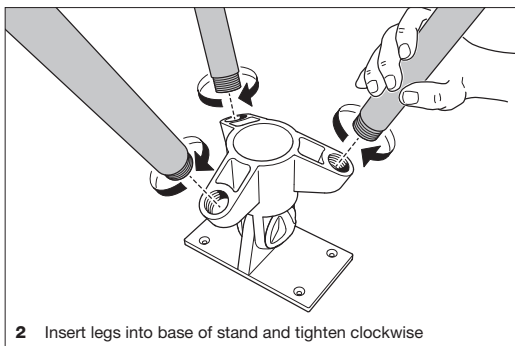
The acrylic platform can be used horizontally or tilted to a 15° display position.



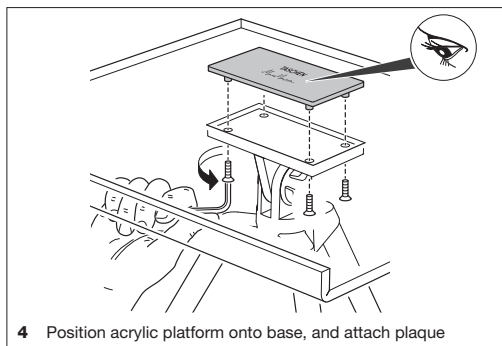
**1** Unscrew plaque from base and set aside until step 4



**3** Check for stability



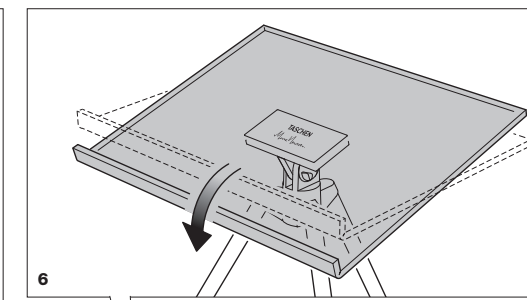
**2** Insert legs into base of stand and tighten clockwise



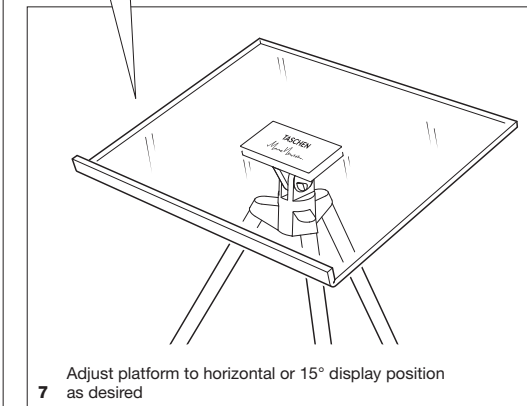
**4** Position acrylic platform onto base, and attach plaque



**5** Check that platform and plaque are flush



**6**



**7** Adjust platform to horizontal or 15° display position as desired