

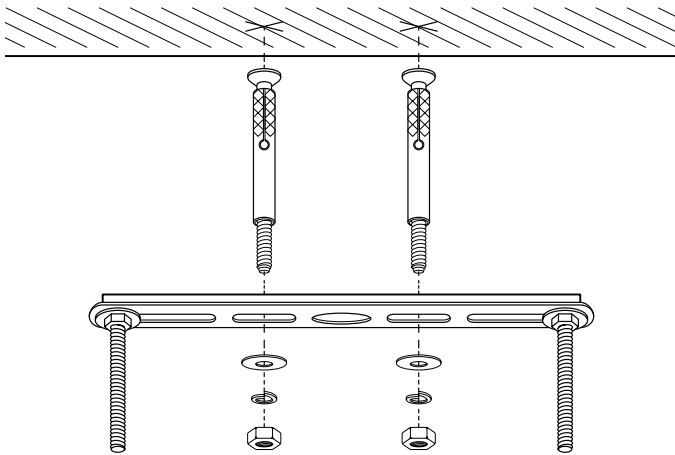


E I C H H O L T Z

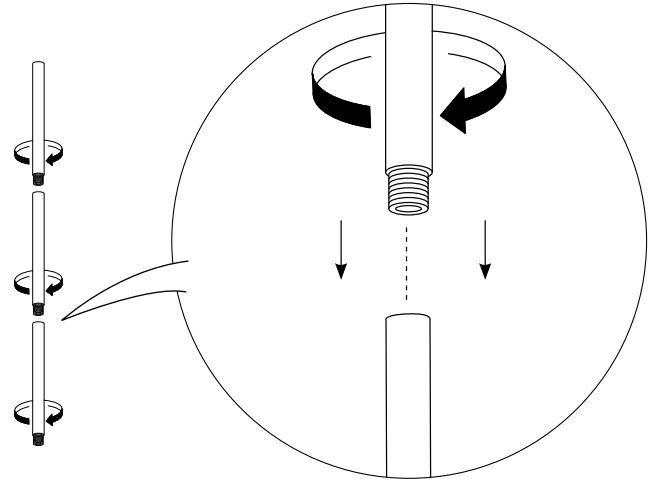
112631 CHANDELIER REFLECTO

ASSEMBLY INSTRUCTION

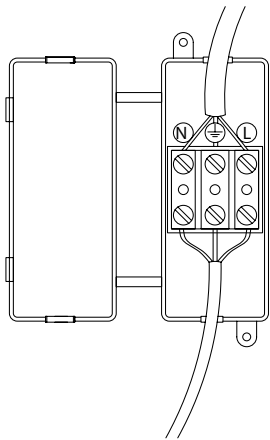
- 1** Fix the ceiling bracket to the ceiling by using mounting plugs and screws suitable to your ceiling type and take into account the weight of your luminaire.



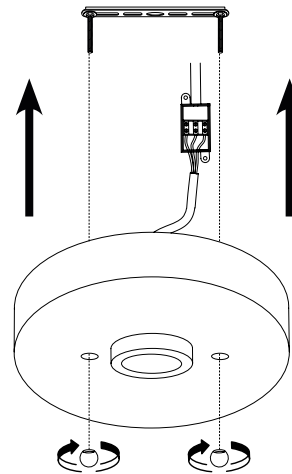
- 2** Connect the pipes.



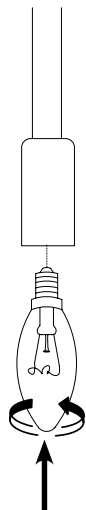
- 3** Connect the 3 power wires according to their colours. Brown is the live wire, blue is the neutral wire, the green yellow wire is the earthwire.



- 4** Place the ceiling canopy over the ceiling plate and fix it securely with the nuts.



- 5** Place the bulb to the lampholder.



FINAL

