

**Item type**

Wall Object

**Item name**

Grove

**Attention!**

When drilling into walls always check that there are no hidden wires or pipes.  
Make sure that the screws and wall plugs being used are suitable for your wall type.

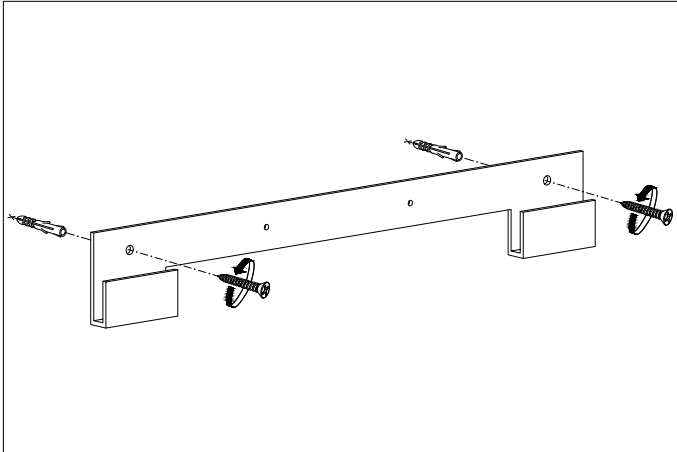
**Care instructions:**

Wipe with a soft cloth, do not use chemicals or abrasive cleaning materials.

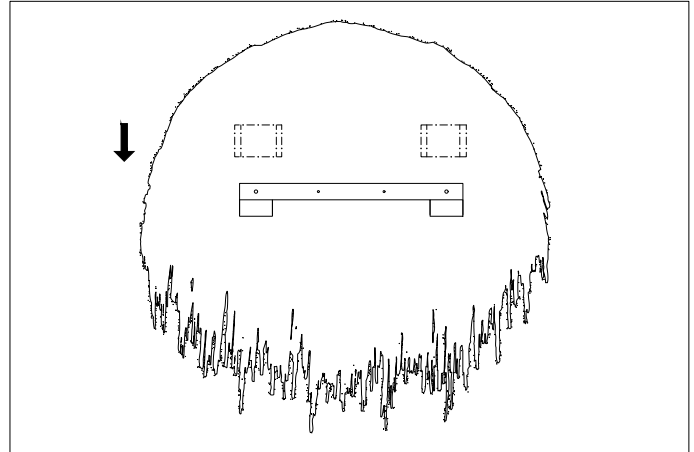
**Eichholtz B.V.**

Delfweg 52  
2211 VN Noordwijkerhout  
The Netherlands

🏠 [www.eichholtz.com](http://www.eichholtz.com)  
✉ [service@eichholtz.com](mailto:service@eichholtz.com)  
☎ +31 (0)252 515 850



1. Fix the wall plate to the wall by using wall mounting plugs and screws suitable for your wall type.



2. Hang the wall object on the hooks of the wall plate. Make sure to check if the wall object is actually hanging correctly, before letting go of the wall object.