

Item type

Coffee table

Item name

Vistamar

Attention!

Place the item on a padded area to prevent damage to the item.

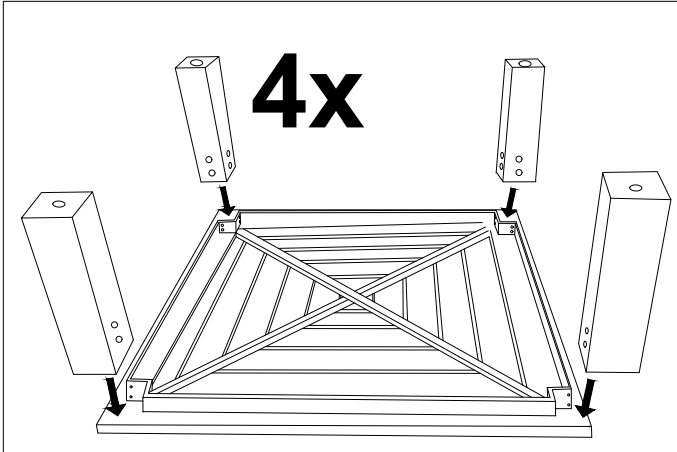
Care instructions:

Hose down if needed, or clean with a soft cloth with water or a mild detergent.
Do not use abrasive cleaning materials.

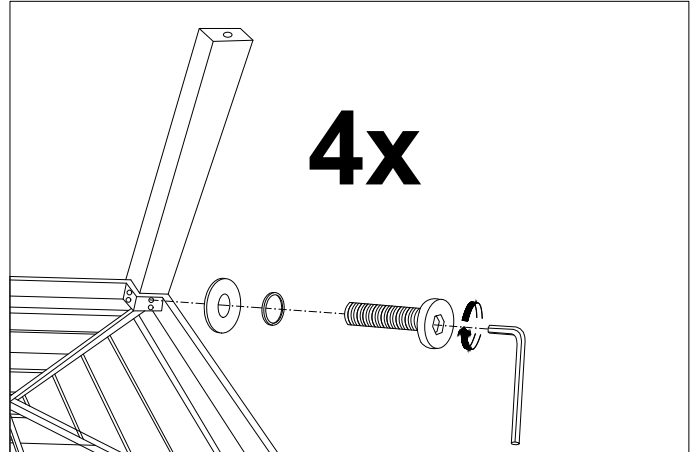
Eichholtz B.V.

Delfweg 52
2211 VN Noordwijkerhout
The Netherlands

🏠 www.eichholtz.com
✉ service@eichholtz.com
☎ +31 (0)252 515 850



1. Carefully place the legs on the table top and align the holes of the legs with the holes in the table top.



2. Fix the legs onto the table top by securing the screws with an allen key.