

**Item type**

Wall lamp

**Item name**

Langham

**Item no**

113134

**Attention!** Do not connect your luminaire to electricity until it is fully assembled.

**Care instructions:**

Wipe with a soft dry cloth, do not use chemicals or abrasive cleaning materials.

**Eichholtz B.V.**

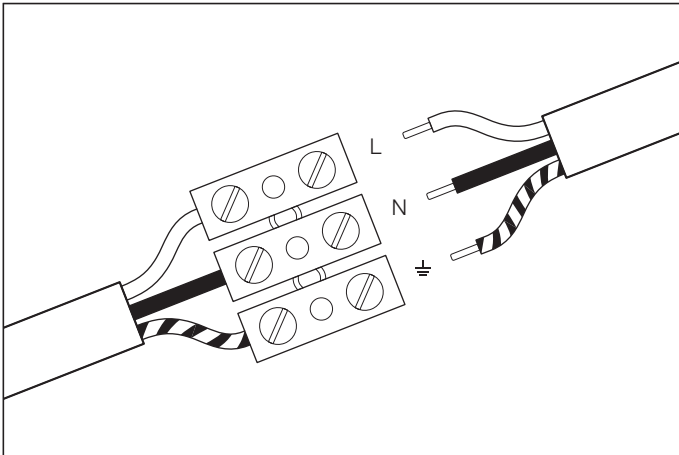
Delfweg 52

2211 VN Noordwijkerhout

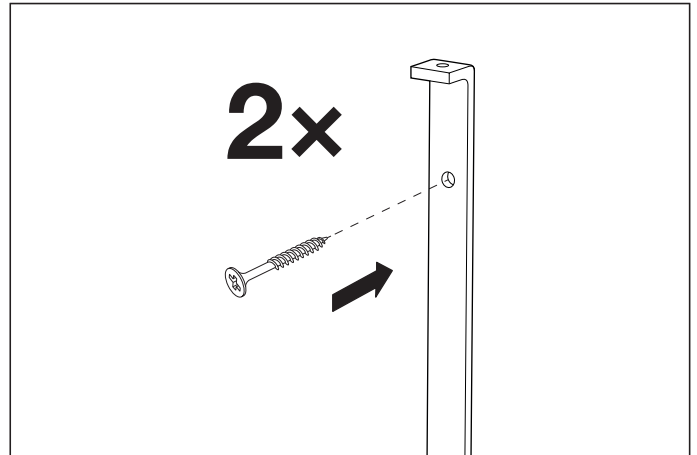
The Netherlands

[www.eichholtz.com](http://www.eichholtz.com) [service@eichholtz.com](mailto:service@eichholtz.com)

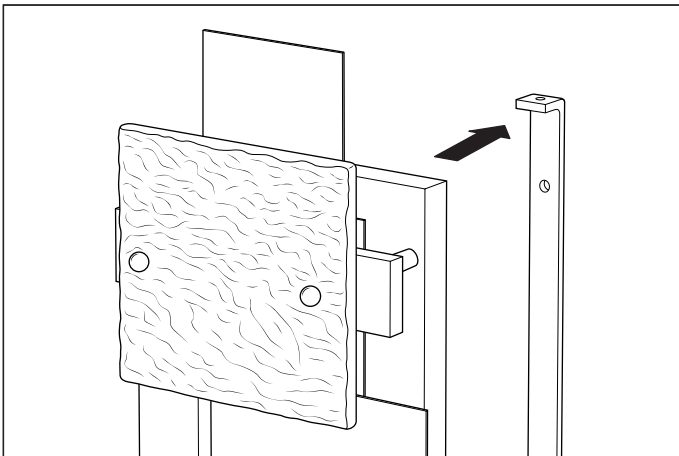
+31 (0)252 515 850



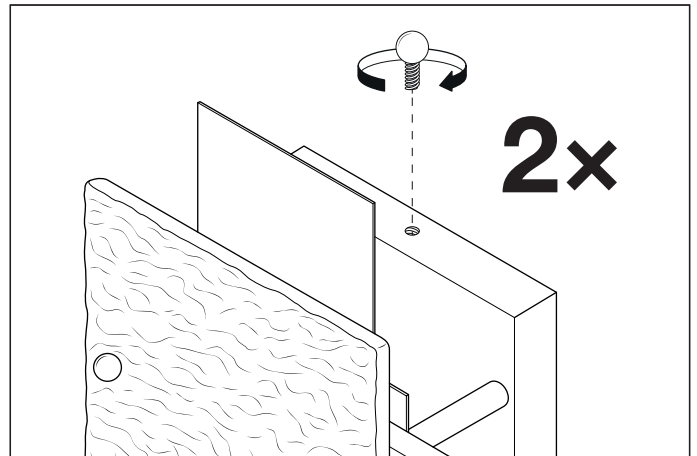
1. Connect the 3 wires according to their colours. Brown is the live wire, blue is the neutral wire, green/yellow is the earth wire.



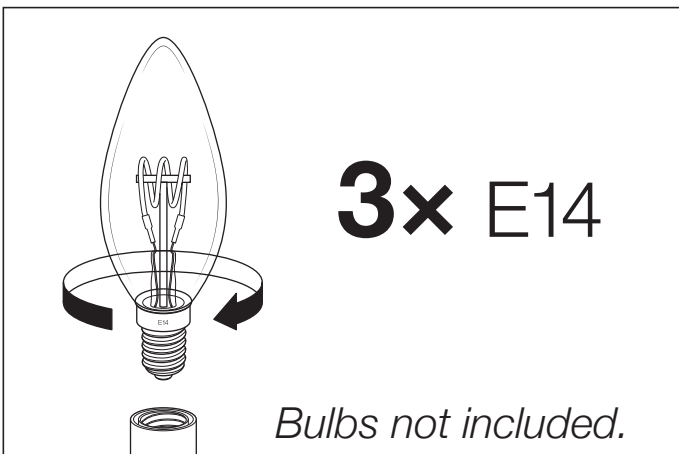
2. Fix the wall plate to the wall by using wall mounting plugs and screws suitable for your wall type.



3. Carefully place the lamp over the wall plate and align the holes in the wall plate with the holes in the lamp.



4. Secure the screw knobs on the top and the bottom of the lamp.



5. Carefully place the bulbs in the fittings. Do NOT turn the bulbs further than necessary, to prevent damage to the fitting.