

Item type
Ceiling Lamp

Item name
Bernardi S

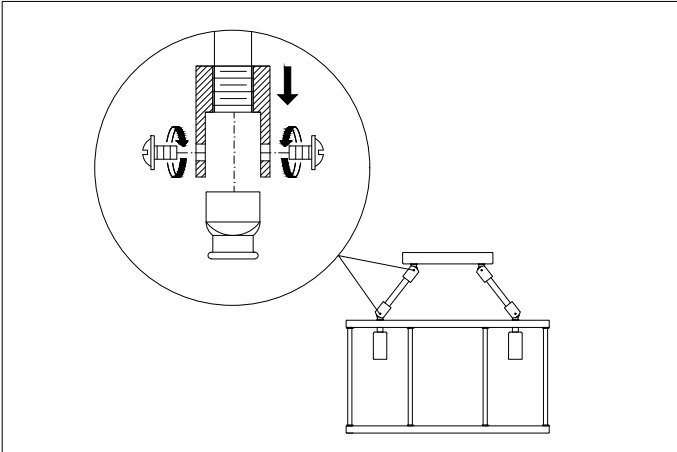
Item number(s)
116166

Attention!
Turn off the electricity supply at the main circuit panel before installing. Do not connect the electricity supply until your luminaire is fully assembled and installed.

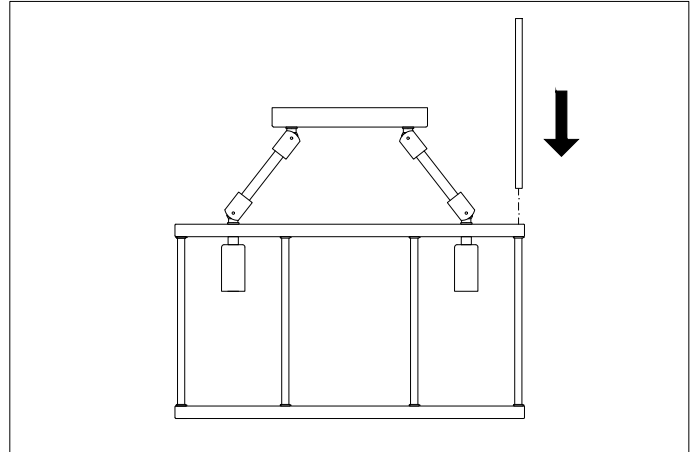
Care instructions:
Wipe with a soft dry cloth, do not use chemicals or abrasive cleaning materials.

Eichholtz B.V.
Delfweg 52
2211 VN Noordwijkerhout
The Netherlands

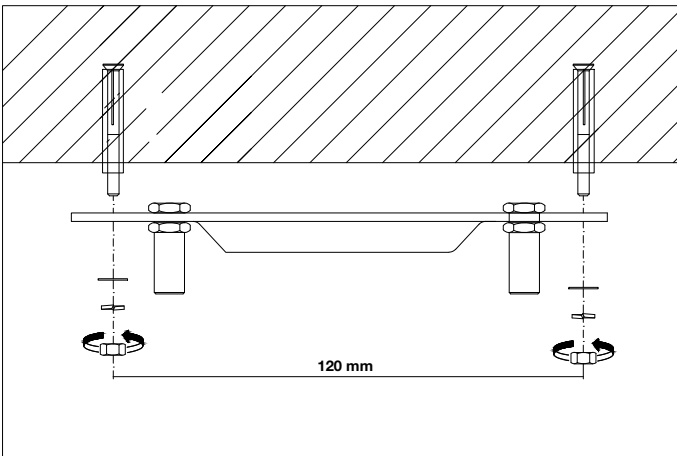
🏠 www.eichholtz.com
✉ service@eichholtz.com
☎ +31 (0)252 515 850



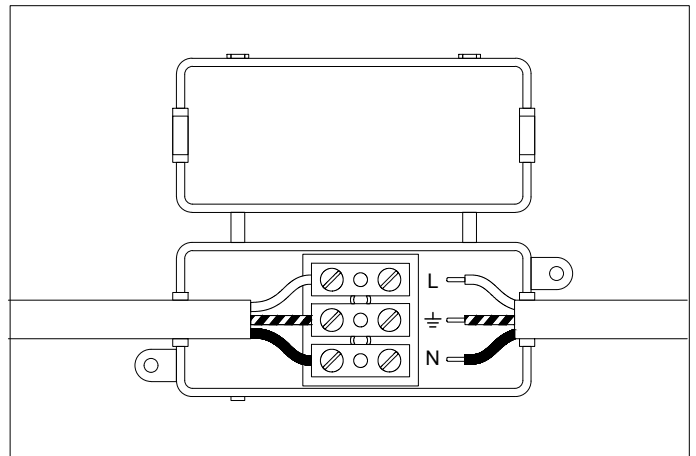
1. Fix the pipes with the screws supplied.



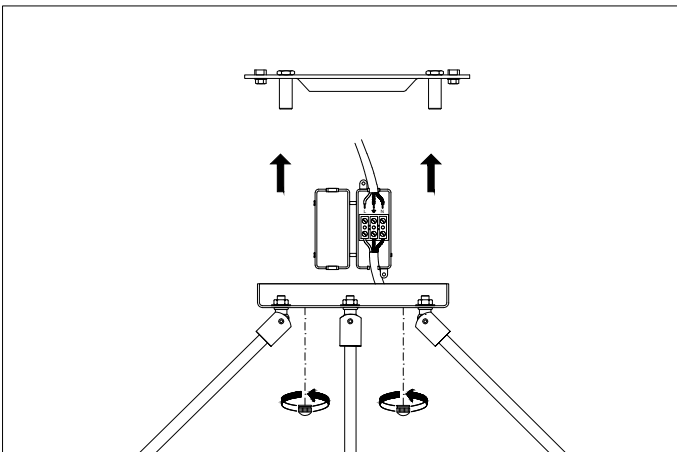
2. Place the glass in the frame.



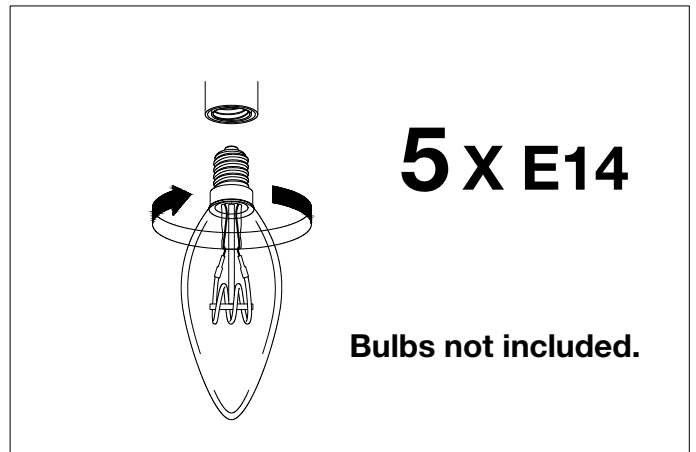
3. Fix the ceiling plate to the ceiling using mounting plugs and screws suitable to your ceiling type.



4. Connect the 3 wires according to their colours. Brown is the live wire (L), blue is the neutral wire (N), green/yellow is the earth wire (⊕).



5. Place the ceiling canopy flush against the ceiling and fix it securely with the 3 nuts supplied. Tighten the nuts with tools, not just by hand.



6. Place the bulbs.