

Item type

Chandelier

Item name

Saint Roch

Attention!

Turn off the electricity supply at the main circuit panel before installing.
Do not connect the electricity supply until your luminaire is fully assembled and installed.

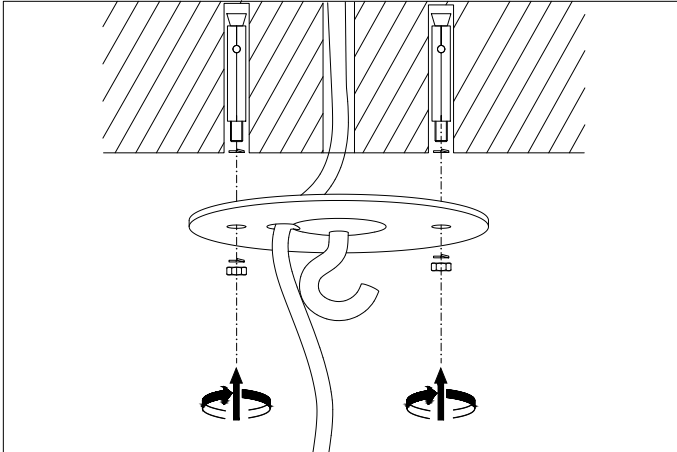
Care instructions:

Wipe with a soft cloth, do not use chemicals or abrasive cleaning materials.

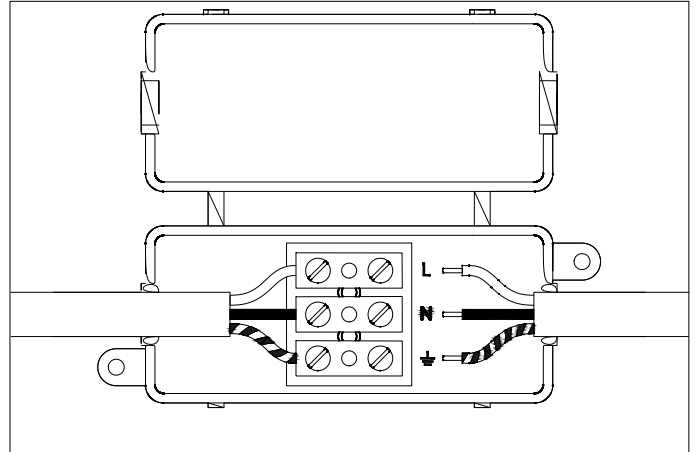
Eichholtz B.V.

Delfweg 52
2211 VN Noordwijkerhout
The Netherlands

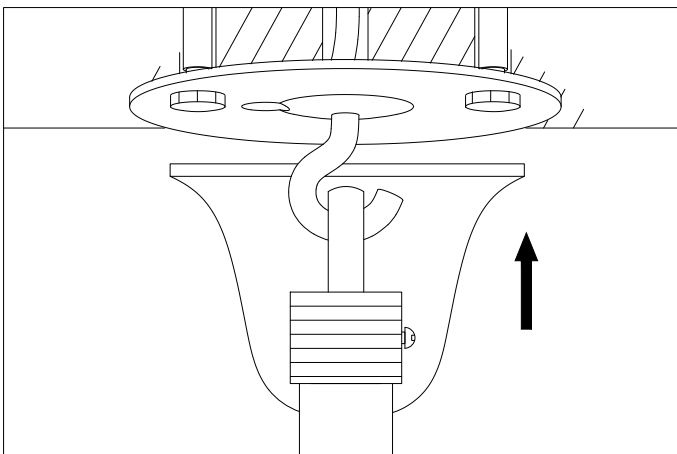
🏠 www.eichholtz.com
✉ service@eichholtz.com
☎ +31 (0)252 515 850



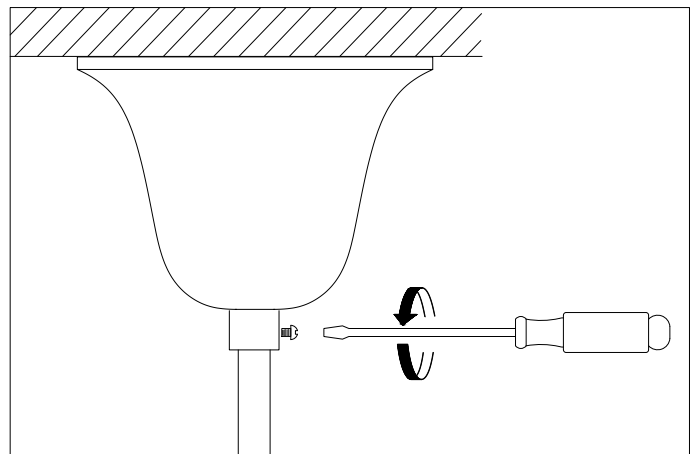
1. Fix the ceiling plate to the ceiling by using mounting plugs and screws suitable to your ceiling type.



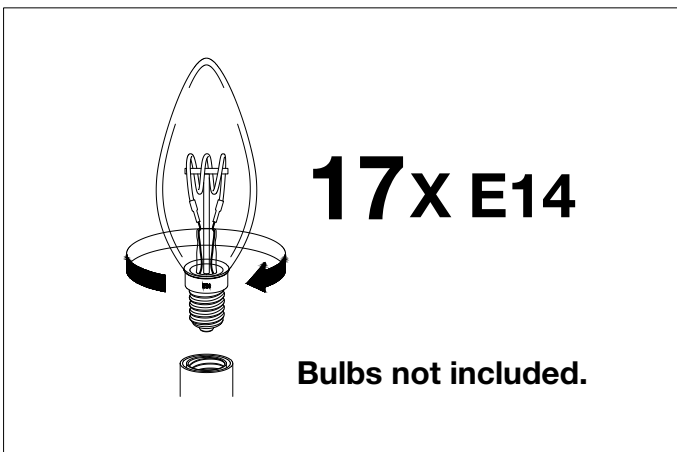
2. Connect the three power wires according to their colours. Brown is the live wire, blue is the neutral wire, green/yellow is the earth wire.



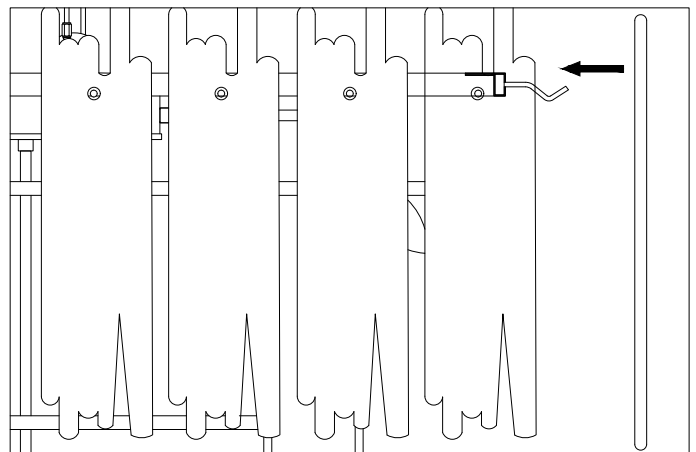
3. Place the ceiling canopy over the ceiling plate.



4. Fix the ceiling canopy securely with the screw supplied.



5. Place the bulbs.



6. Place the glass.