

ASSEMBLY INSTRUCTIONS

Rossi Medium Lantern

Item # JN 5087-EU

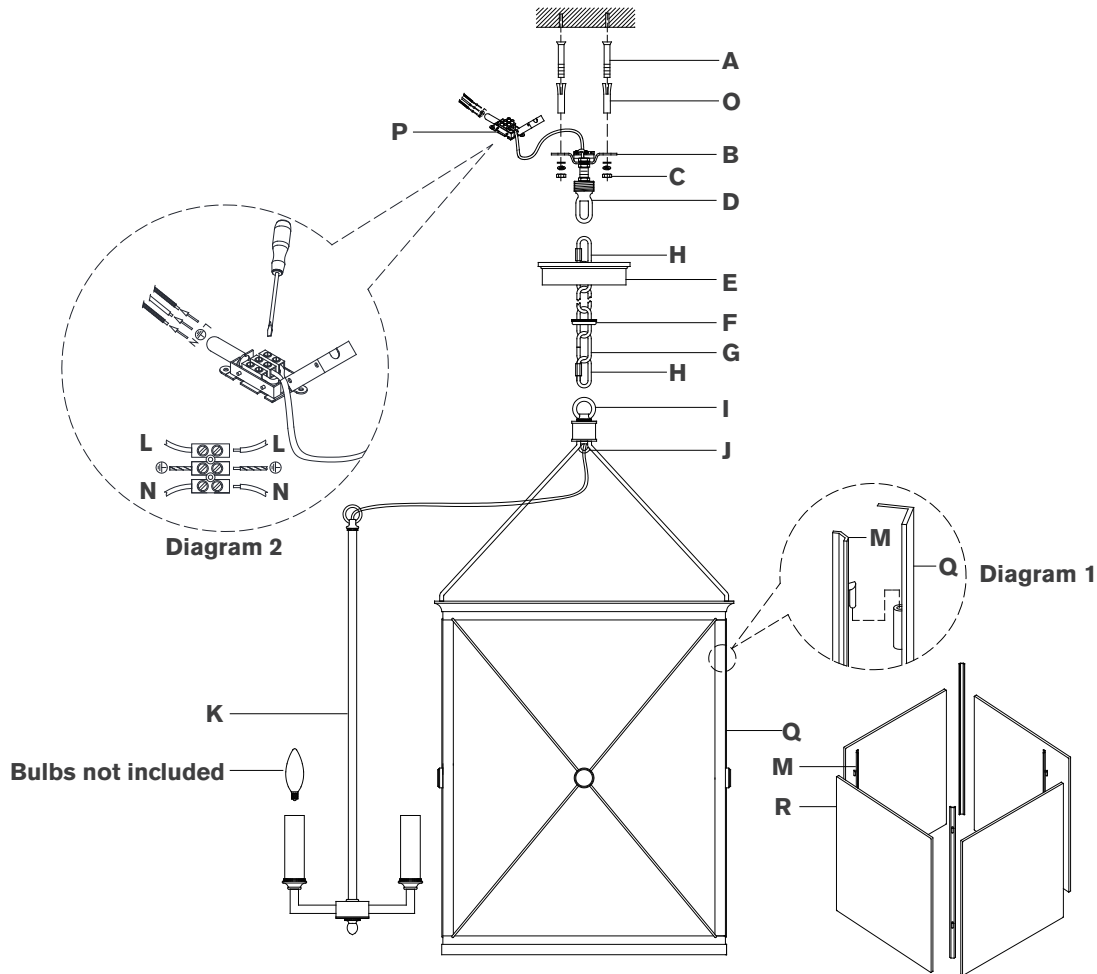
NOTICE:

This light fixture should be installed in accordance with all applicable, local installation codes, and by a person familiar with the construction and operation of it, as well as the hazards involved. Inspect item and contents carefully. If any damage or defect is found, do not install. Retain all packaging material until installation is complete and approved.

TOOLS REQUIRED (NOT INCLUDED):

Phillips Screwdriver	Slotted Screwdriver	Chain Pliers
Slip Joint Pliers	Wire Strippers	Measuring Tape
Wire Cutters	Pencil	Drill
Hammer		

- Carefully remove all parts from the box. Place on a clean, soft surface.
- Remove canopy (E) from collar loop (D) by removing collar ring (F).
- Using mounting plate (B) as a guide, line up with the ceiling and mark expansion anchors positions.
- Using a drill bit slightly smaller than the expansion anchors, drill holes in the marked positions. Install screws (A) and expansion anchors (O) into the holes using hammer.
- Line up mounting plate (B) to expansion anchors and add washers, lock washers and mounting nuts (C). Secure by tightening mounting nuts.
- Secure collar loop (D) to mounting plate (B) using pliers to tighten locknut.
- Install canopy (E) to collar loop (D) and secure with collar ring (F).
- Determine desired overall length and amount of chain (G) needed. Shorten chain using chain pliers. (Keep extra chain)
- Install glass panels (R) to fixture body (Q) and secure with metal bars (M). See diagram 1.
- Feed fixture wire through the opening under fixture loop (I), then hang cluster (K) to hook (J).
- Install light bulbs into the sockets.
- Attach chain (G) to collar loop (D) and fixture loop (I) using quick links (H). Secure quick links (H).



ASSEMBLY INSTRUCTIONS

Rossi Medium Lantern

Item # JN 5087-EU

NOTICE:

This light fixture should be installed in accordance with all applicable, local installation codes, and by a person familiar with the construction and operation of it, as well as the hazards involved. Inspect item and contents carefully. If any damage or defect is found, do not install. Retain all packaging material until installation is complete and approved.

- Thread fixture wire through chain (**G**).

NOTE: When you reach collar loop (**D**), ensure there is no tension on the wires. Cut excess wires, being sure to leave enough to connect the terminal block (**P**).

- Remove outer housing of wire by making a neat cut all the way around, about 2.5 cm from the end. Once cut is made, remove and discard the piece of housing, exposing the electrical wires.

NOTE: Make sure not to cut too deep into housing or electrical wires could become damaged.

- Separate wires and strip insulation on each 6 mm.

- Loosen collar ring (**F**) and let canopy (**E**) slip down chain (**G**) carefully.

- Twist all fixture wires together. Slip through center hole of collar loop (**D**).

NOTE: Untwist wires and separate to prepare for connection.

- Open terminal block (**P**) to prepare for installation of electrical wires. Use diagram 2 to reference electrical installation steps below.

- Connect fixture ground (green) and supply ground (usually green or yellow) to terminal block (**P**) and secure with screws.

NOTE: It is imperative that the fixture is grounded.

- Connect neutral wires (blue) to terminal block (**P**) and secure with screws.

- Connect hot wires (brown) to terminal block (**P**) and secure with screws. Close terminal block (**P**).

CAUTION: Do not reverse the hot and neutral connections.

- Install canopy (**E**) to collar loop (**D**) and secure with collar ring (**F**).

Care Instructions: Clean only with a soft dry cloth or feather duster. Do not use abrasive or chemical agents.

