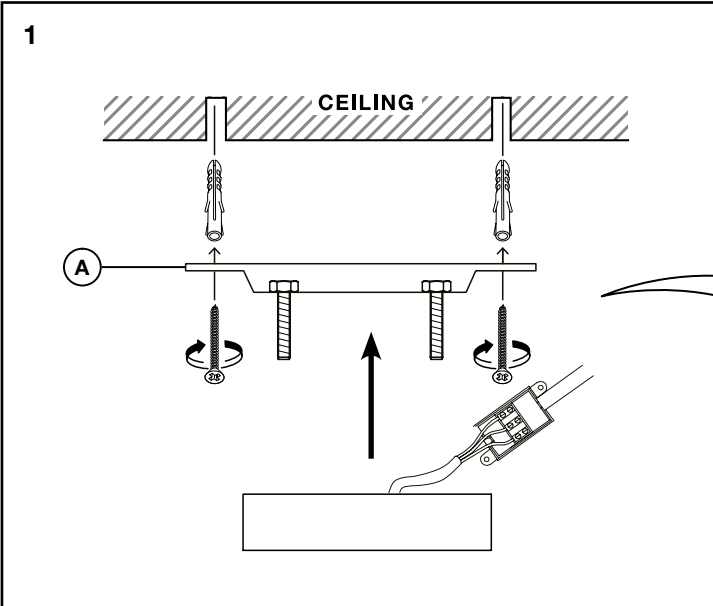




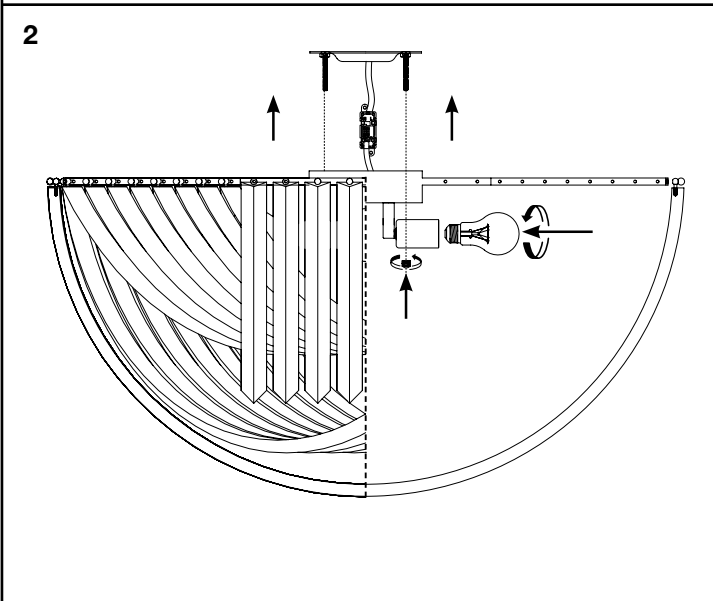
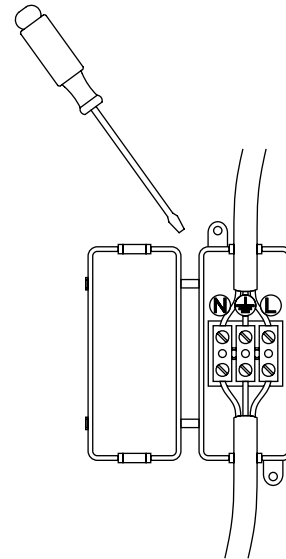
E I C H H O L T Z

111840 CEILING LAMP HYÈRES

ASSEMBLY INSTRUCTION



**ZOOM**



Two people are required for safe mounting of this luminaire.

Turn off the electricity supply at the main circuit panel before installing. Do not connect the electricity supply until your luminaire is fully assembled and installed.

Fix the ceiling bracket (A) to the ceiling by using mounting plugs and screws suitable to your ceiling type.

Remove the lamp from the carton by lifting the bar. Hold the luminaire in the air while removing the protective packaging materials. Do not put the luminaire down as it might damage the acrylic parts.

The luminaire is attached to the bar by an extra ceiling bracket. Remove the ceiling bracket.

Connect the 3 power wires according to their colours . Brown is the live wire, blue is the neutral wire, green/yellow is the earth wire.

Place the luminaire over the ceiling bracket and fix it securely by tightening the nuts (C) on the screw threads of the ceiling bracket.

**CARE INSTRUCTION**

Wipe clean with soft, dry cloth.  
Always avoid the use of harsh chemicals or abrasive cleaners as they may cause damage to the fixture's finish.

