

**Item type**

Wall Lamp

**Item name**

Eclips

**Item number(s)**

115925

**Attention!**

Turn off the electricity supply at the main circuit panel before installing.  
Do not connect the electricity supply until your luminaire is fully assembled and installed.

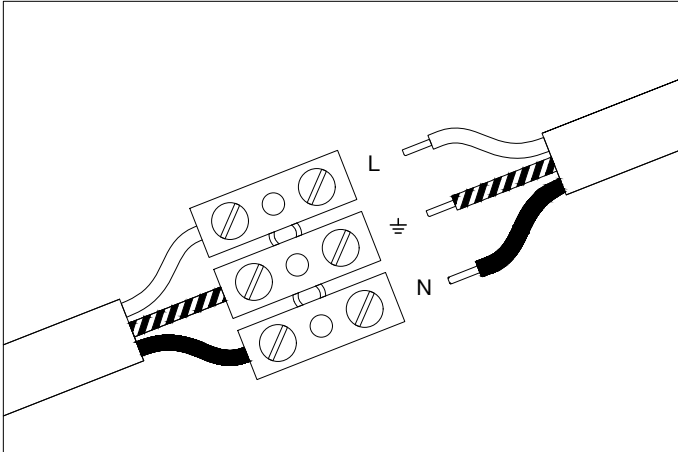
**Care instructions:**

Wipe with a soft cloth, do not use chemicals or abrasive cleaning materials.

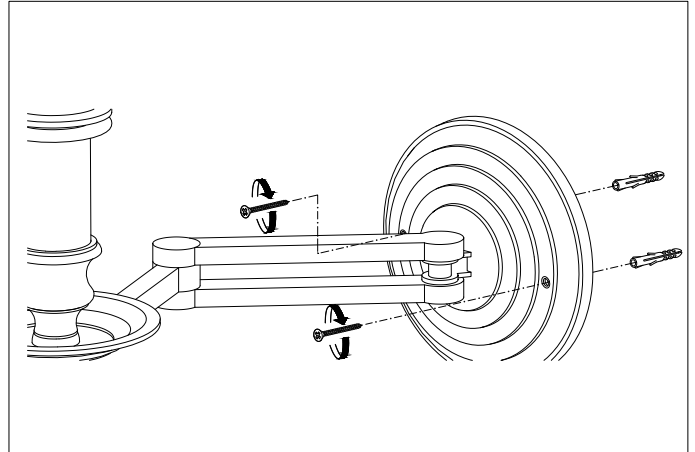
**Eichholtz B.V.**

Delfweg 52  
2211 VN Noordwijkerhout  
The Netherlands

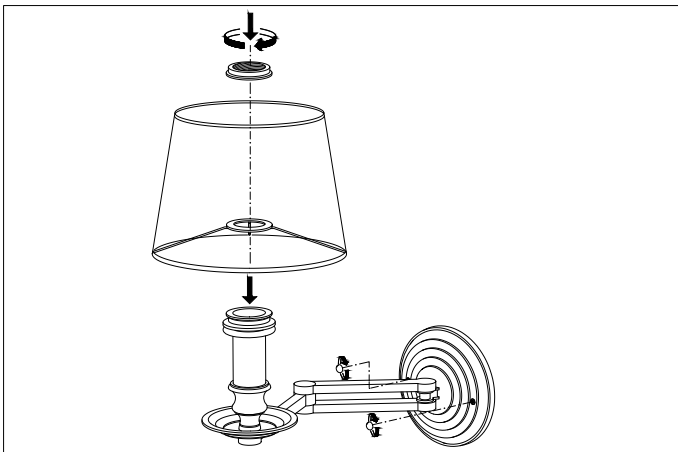
🏠 [www.eichholtz.com](http://www.eichholtz.com)  
✉ [service@eichholtz.com](mailto:service@eichholtz.com)  
☎ +31 (0)252 515 850



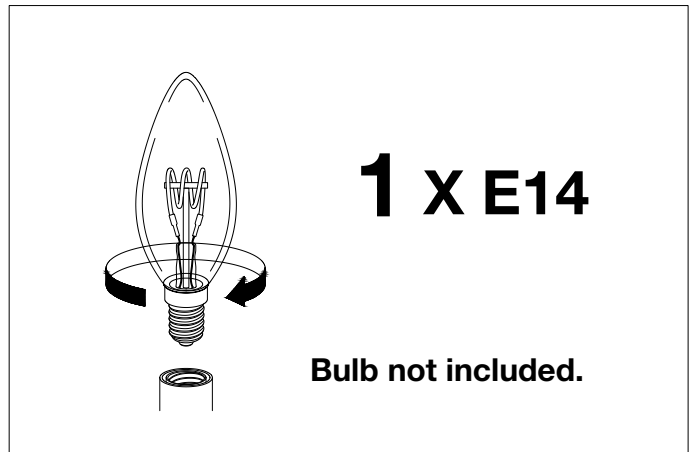
1. Connect the 3 wires according to their colours. Brown is the live wire (L), blue is the neutral wire (N), green/yellow is the earth wire (⏚).



2. Place the lamp over the plugs and fix the lamp to the wall by using suitable screws for your wall.



3. Place the screw cover caps over the screws. Fix the shade onto the fitting using the mounting ring.



4. Place the bulb.