

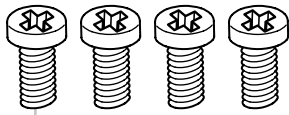


E I C H H O L T Z

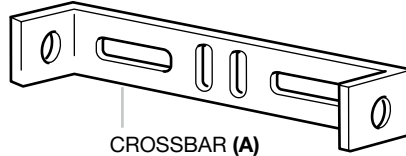
112656 WALL LAMP PONZA

ASSEMBLY INSTRUCTION

**PARTS**



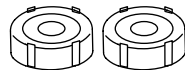
SCREWS



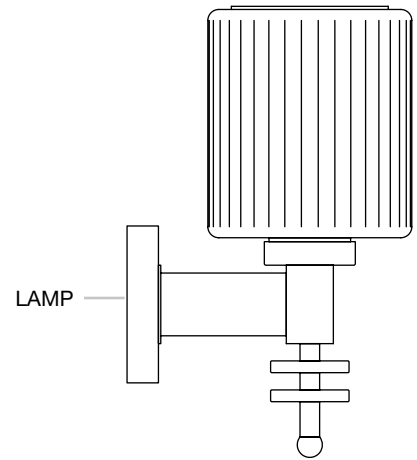
CROSSBAR (A)



SCREW COVER

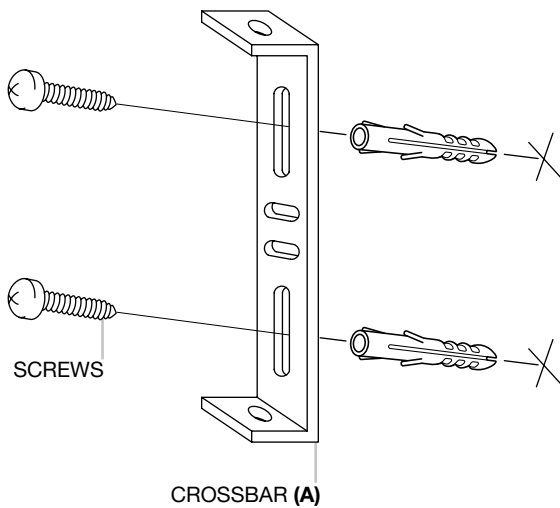


SCREW PLASTICS



LAMP

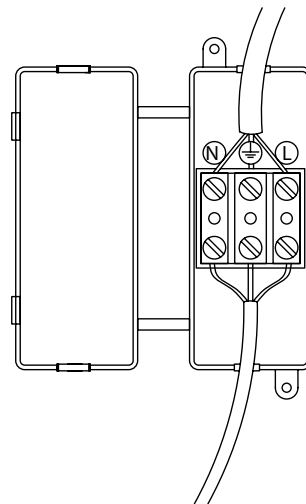
**1**



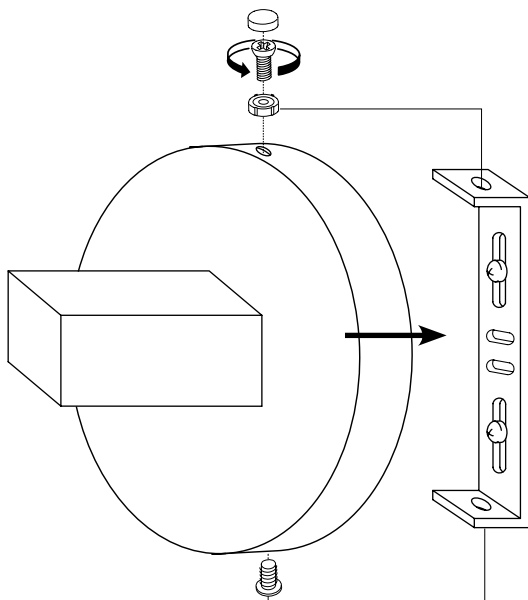
SCREWS

CROSSBAR (A)

**2**



**3**



Switch off the power at the main switchboard.  
Fix the crossbar (A) to the wall by using wall mounting plugs and screws suitable to your wall type.

Connect the 3 power wires according to their colours. Brown is the live wire, blue is the neutral wire, the green yellow wire is the earthwire.

Place the lamp over the cross bar and fix it securely with the screws (B) supplied. Don't turn to far because the plastic part will break otherwise. Place the screw cover.

Place the glass shade to the lamp body and fix it securely.

Place the bulb to the lampholder.