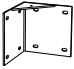



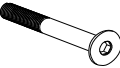


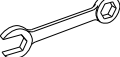


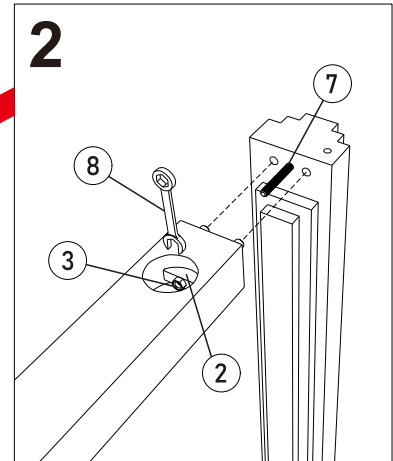
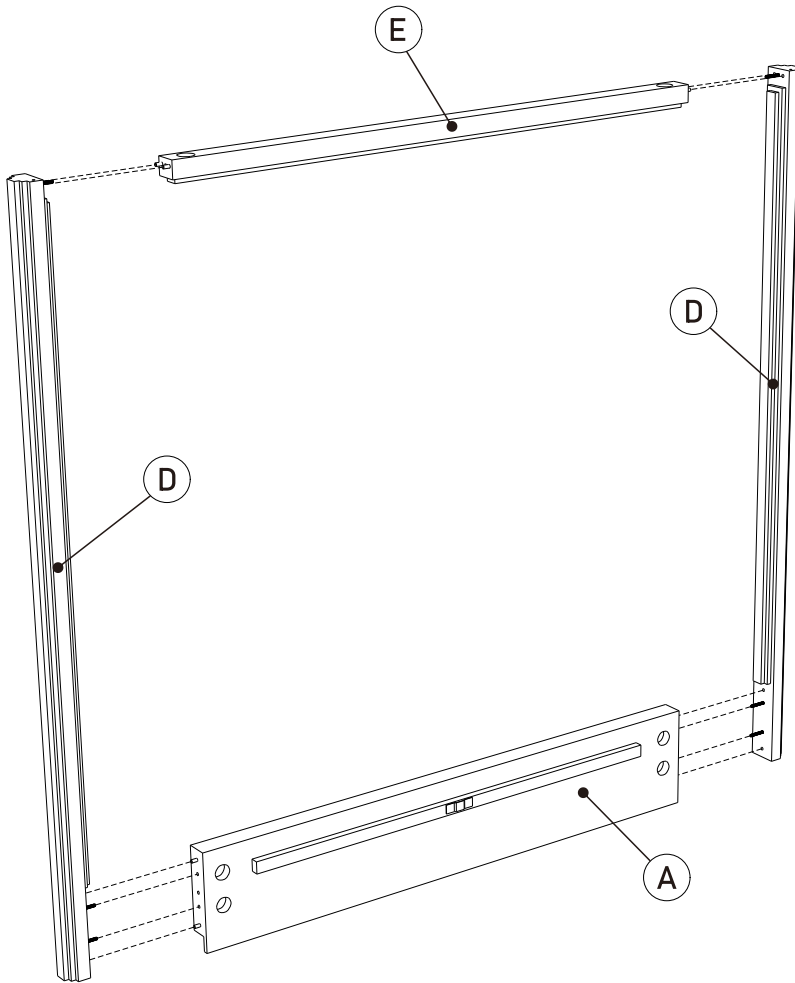
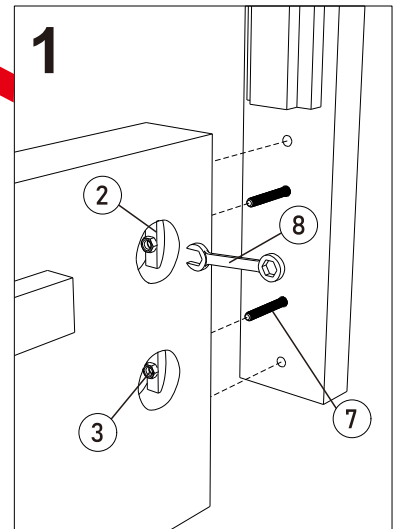


REF	PART NAME		QTY
A	FOOTBOARD		1 PCS
B	HEADBOARD		1 PCS
C	BACK PANEL		1 PCS
D	VERTICAL POLE		4 PCS
E	HORIZONTAL POLE - FRONT / BACK		1 SET
F	SIDERAIL - LEFT / RIGHT		1 SET
G	HORIZONTAL POLE - LEFT / RIGHT		1 SET
H	CENTER RAIL		1 PCS
I	SUPPORT LEG		2 PCS
J	SLATS		1 SET
REF.	IMAGE	ITEM NAME	QTY
1		METAL CORNER	4 PCS
2		LUNA WASHER	16 PCS
3		NUTS	16 PCS
4		WASHERS	32 PCS
5		BOLT M6 X 60	8 PCS
6		BOLT M4 X 20MM	36 PCS
7		KNOCKDOWN THREAD	16 PCS
8		WRENCH	1 PCS
9		ALLEN KEY SH 4	1 PCS
10		ALLEN KEY SH 5	1 PCS

Step 1 : Attach Footboard (A) and Horizontal Pole (E) to Vertical Poles (D).

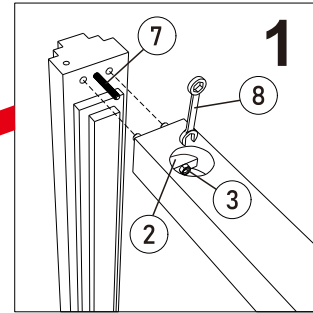
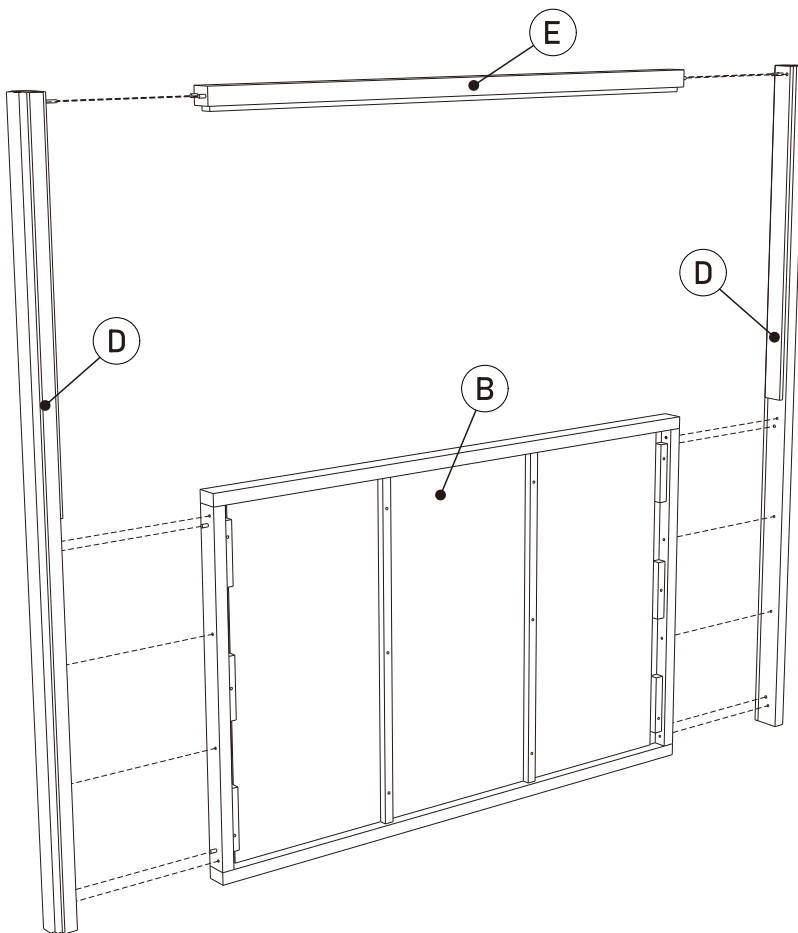


Insert Knockdown Thread (7),
Align the dowels with the hole,
insert Luna Washer (2)
& Nut (3), fasten with Wrench (8).

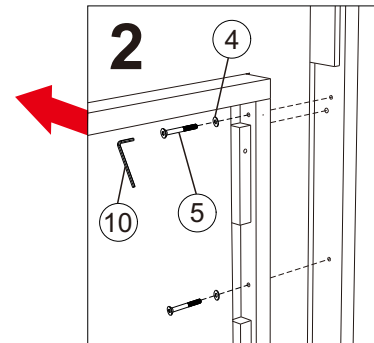


Insert Knockdown Thread (7),
Align the dowels with the hole,
insert Luna Washer (2)
& Nut (3), fasten with Wrench (8).

Step 2 : Attach Headboard (B) and Horizontal Pole (E) to Vertical Poles (D).

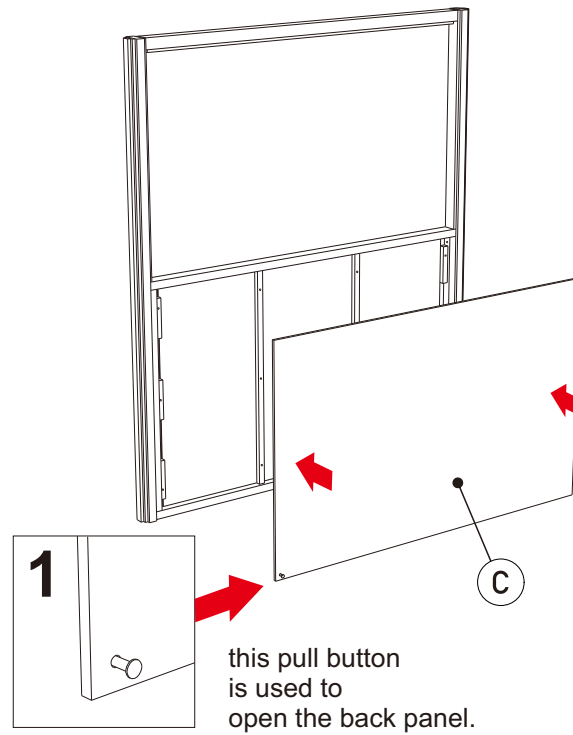


1
Insert Knockdown Thread (7),
Align dowels with the hole,
insert Luna Washer (2)
& Nut (3), fasten
with Wrench (8).

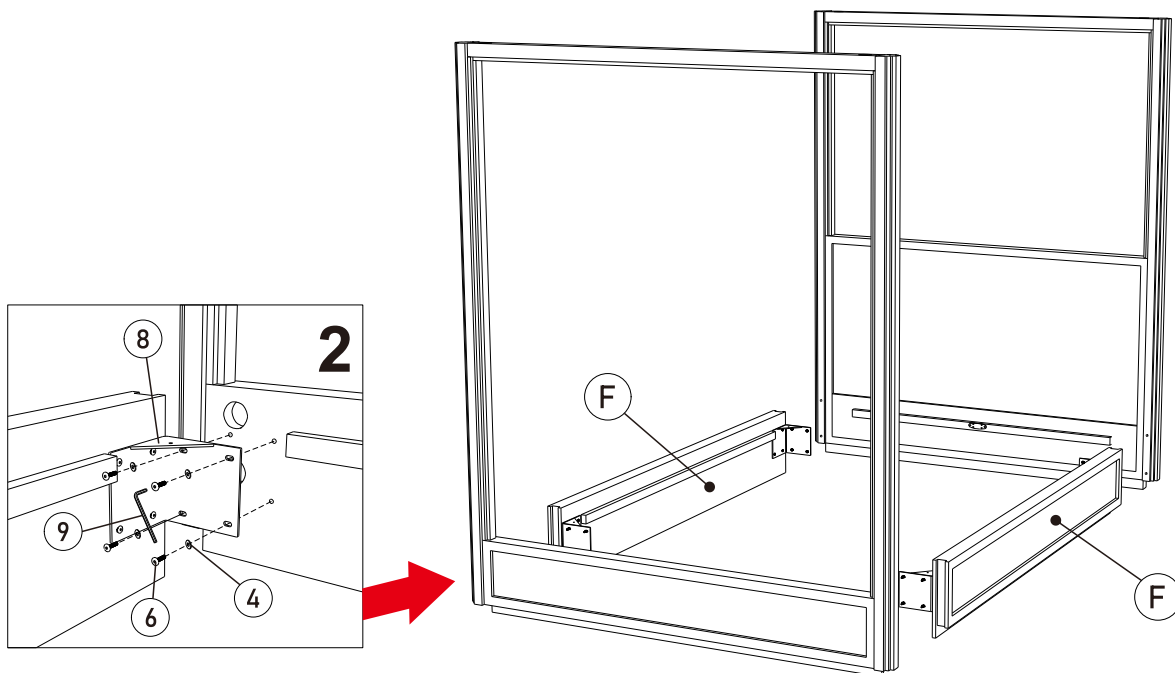


2
Attach by aligning the dowels
with the hole, insert Bolt (5)
and Washer (4)
fasten with Allen Key (10).

Step 3 : Attaching the Back Panel Cover (C).

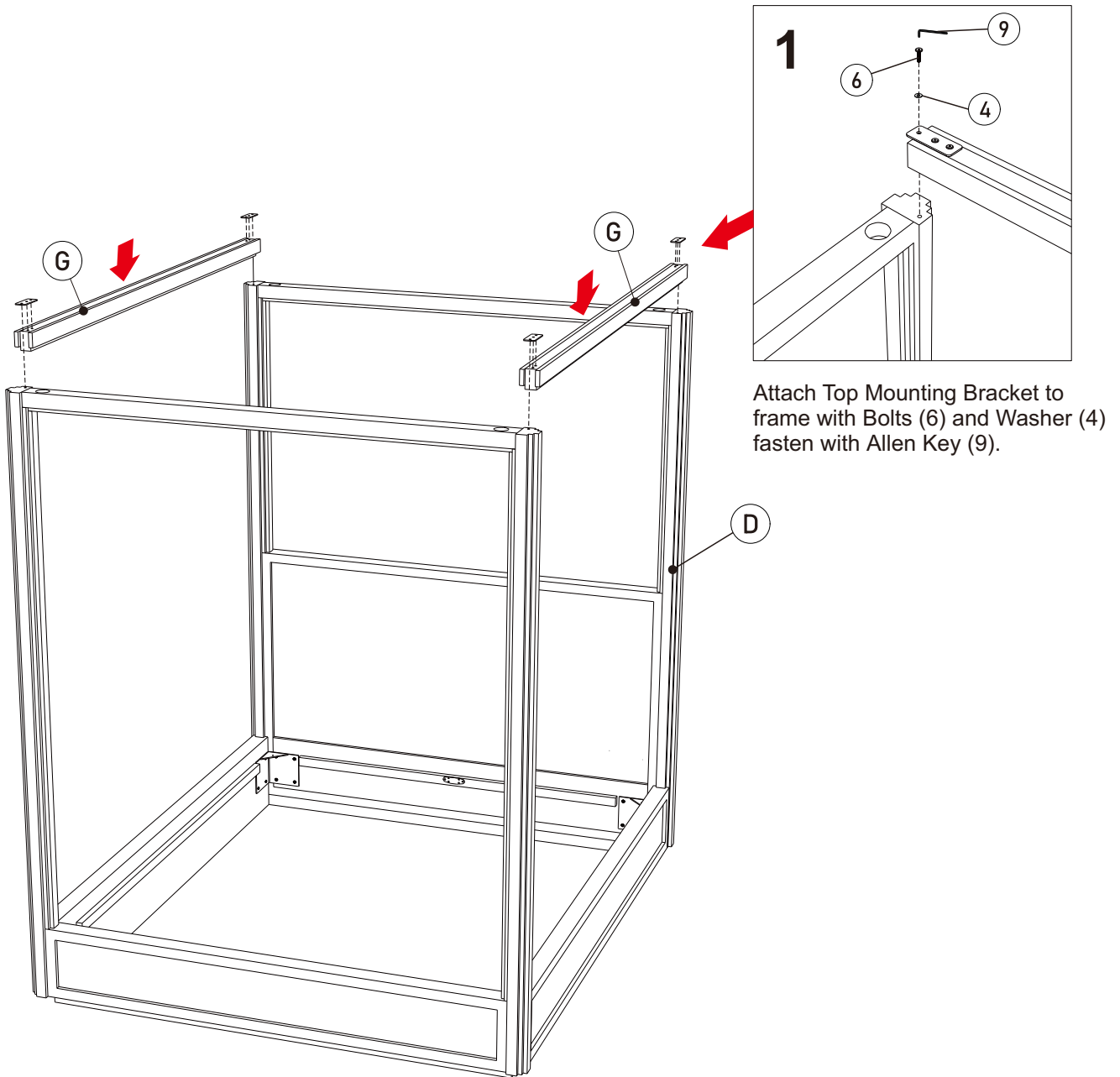


Step 4 : Attach Siderail Left / Right (F) to Headboard & Footboard assembly.



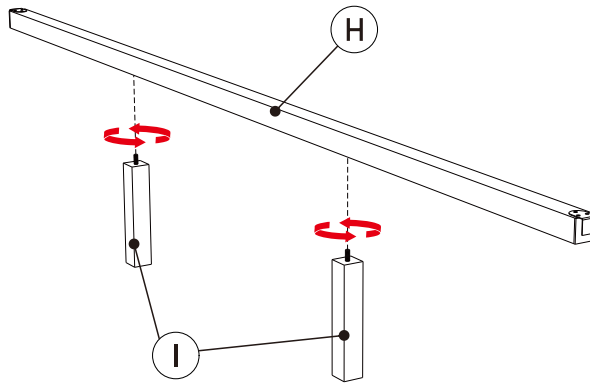
Attach Metal Corner with Bolts (6) and Washer (4) fasten with Allen Key (9).

Step 5 : Attach Horizontal Pole Left / Right (G) to Vertical Frame (D).

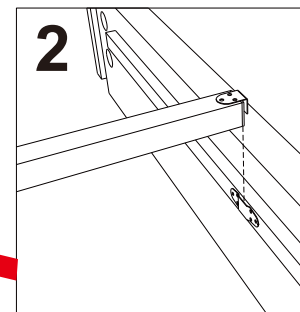
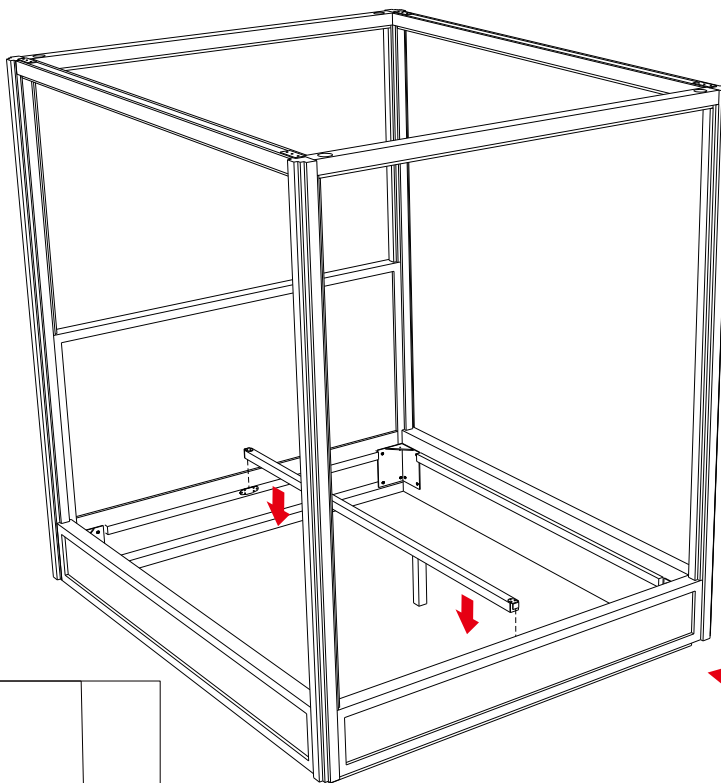


Attach Top Mounting Bracket to frame with Bolts (6) and Washer (4) fasten with Allen Key (9).

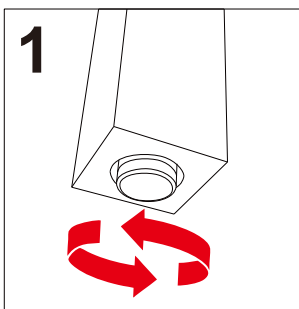
Step 6 : Attach Leg Support (I) to Center Rail (H).



Step 7 : Attach the Center Rail Assembly (H,I) to Headboard & Footboard assembly.

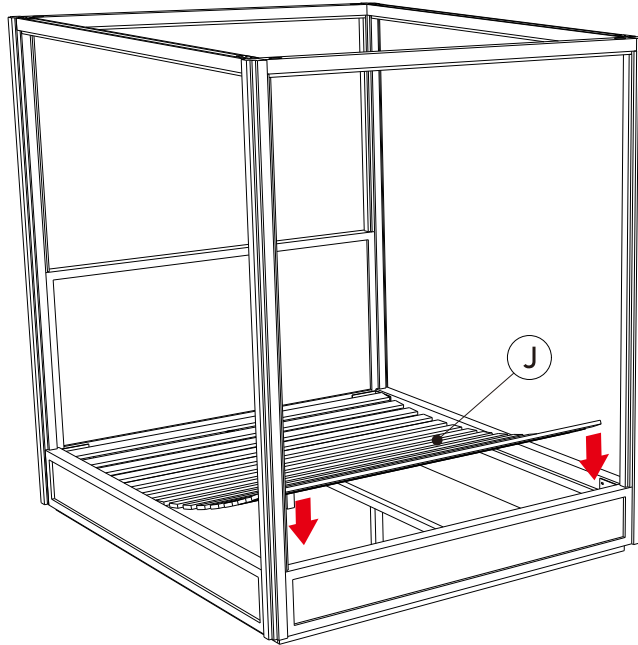


Attach by inserting L Bracket into the mounting plate.



Turn the leveler to adjust the height of leg support so it touches the floor.

Step 8 : Place the Slats (J) into the bed frame assembly.



ASSEMBLY COMPLETED

