

Item type

Chandelier

Item name

Duco S

Item number(s)

115856 (115856A + 115856B)

Attention!

Turn off the electricity supply at the main circuit panel before installing. Do not connect the electricity supply until your luminaire is fully assembled and installed.

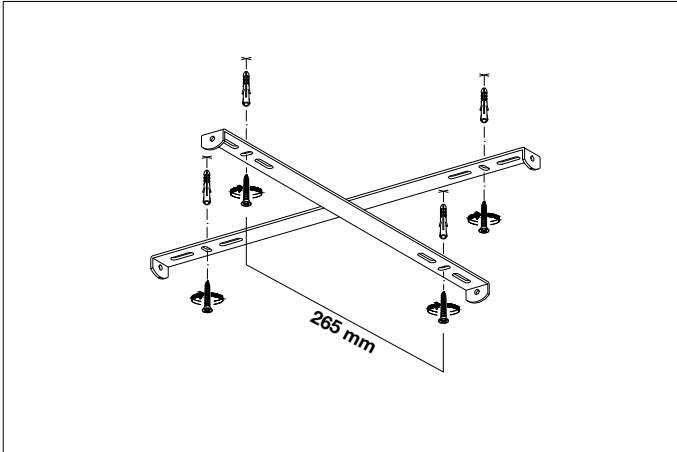
Care instructions:

Wipe with a soft dry cloth, do not use chemicals or abrasive cleaning materials.

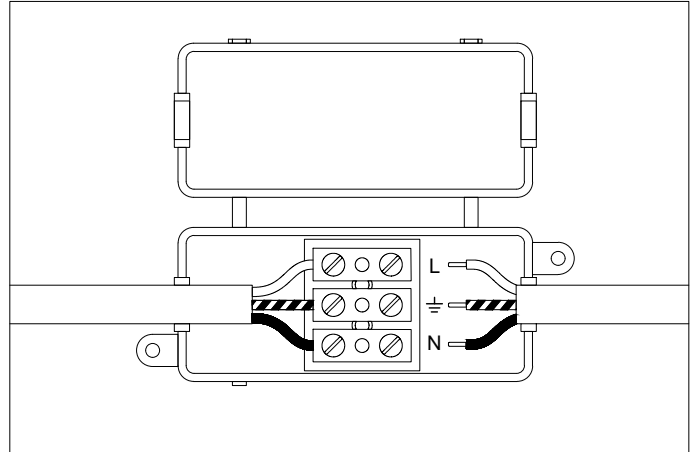
Eichholtz B.V.

Delfweg 52
2211 VN Noordwijkerhout
The Netherlands

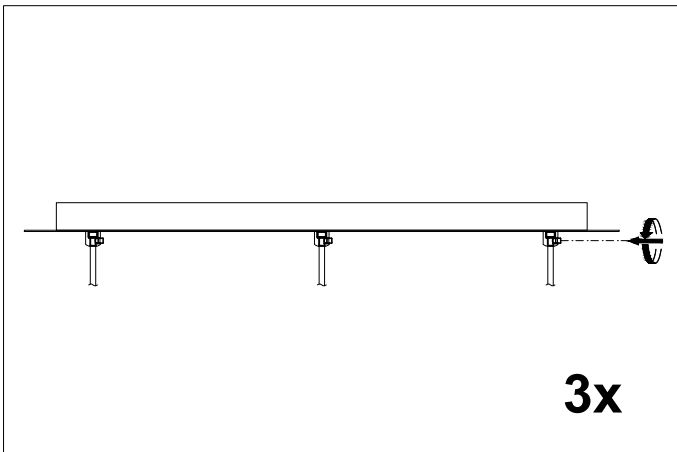
🏠 www.eichholtz.com
✉ service@eichholtz.com
☎ +31 (0)252 515 850



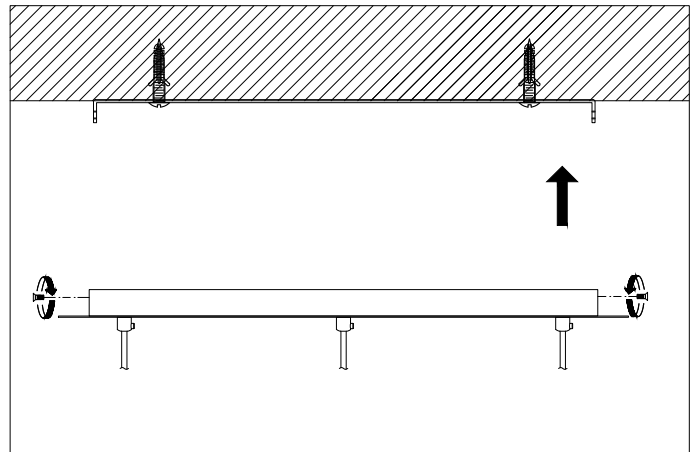
1. Fix the crossbar to the ceiling by using mounting plugs and screws suitable for your ceiling type. Take into account the weight of your luminaire.



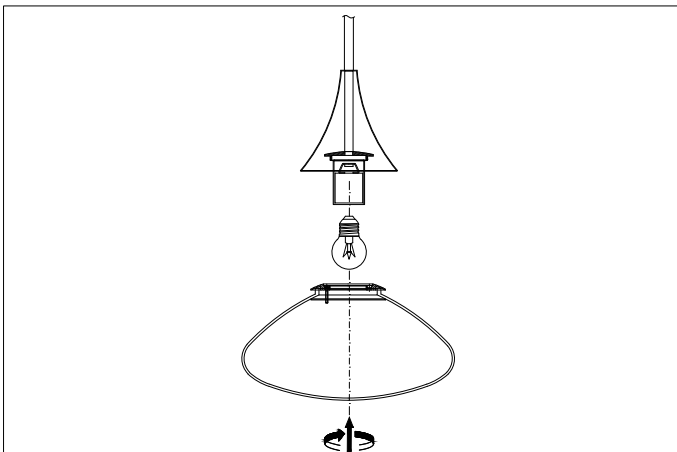
2. Connect the 3 wires according to their colours. Brown is the live wire (L), blue is the neutral wire (N), green/yellow is the earth wire (⊕).



3. Put the wire through until the lamp is at your desired height and fix it with the plastic nuts.



4. Place the ceiling canopy over the ceiling plate and fix it securely with the nuts.



5. Place the bulbs and place the glass.