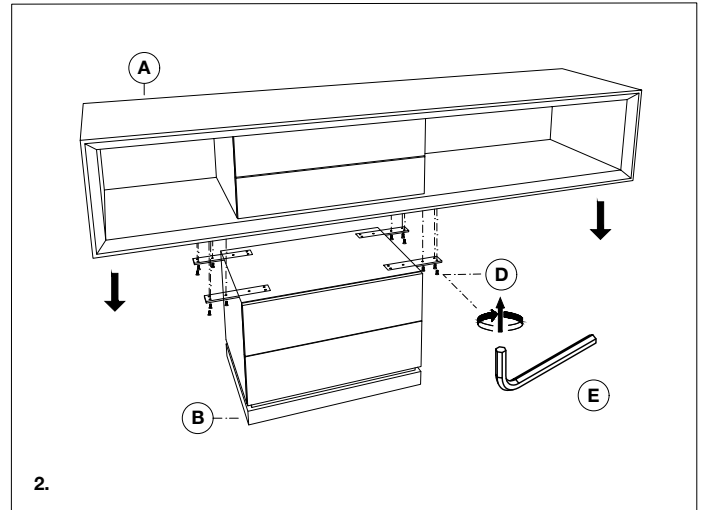
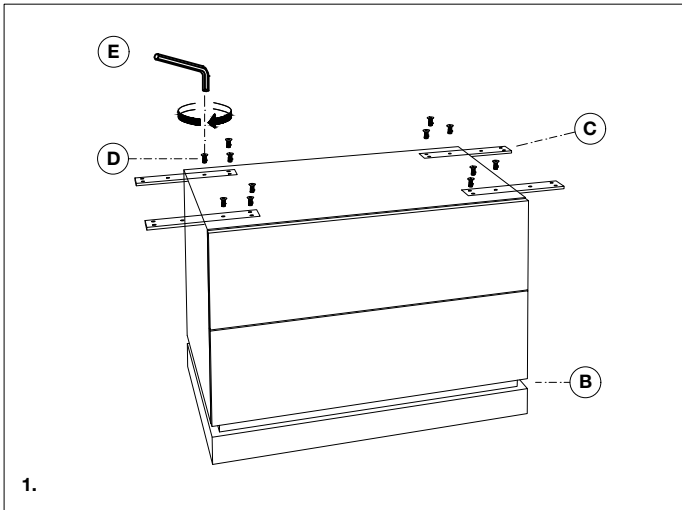
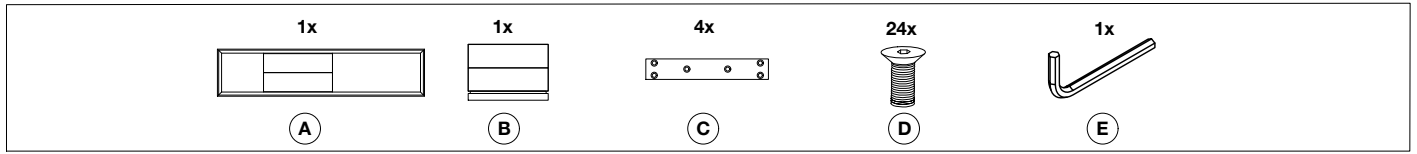


118047 Console Table Mantua



118047 Console Table Mantua

**Attention!**  
 Serious or fatal crushing injuries can occur from furniture tip-over.  
 To help prevent this install the tip-over-restraint.  
 Place heaviest items in lowest drawers.  
 Never allow children to climb or hang on drawers, doors and shelves.  
 The tip-over restraint may only reduce, but not eliminate the risk tip-over.

